

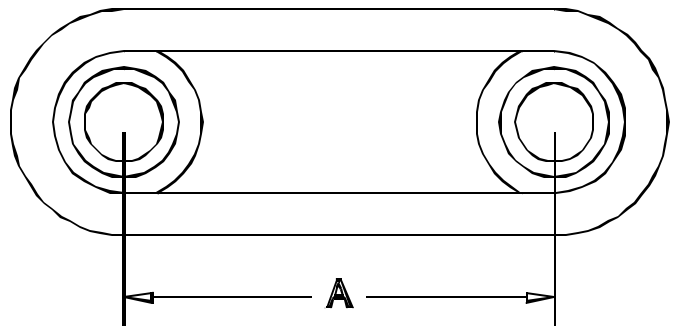
RHENGINEERING

Gain the benefits of a **Floating Sway Bar Linkage** or **Floating Rod End** like many **Nextel Cup**, **Busch Grand National**, and **Craftsman Truck Series** racing teams have!

FLOATING SWAY BAR LINKAGE

- ✓ Eliminates stretching and binding of chain links
- ✓ Keeps swaybar in adjustment
- ✓ Replaces ½" Rod Ends
- ✓ Heat Treated 4130 steel gold Zinc plated
- ✓ High strength 6061T6 Aluminum black anodized
- ✓ CNC Machined

US Patent # 6,551,004

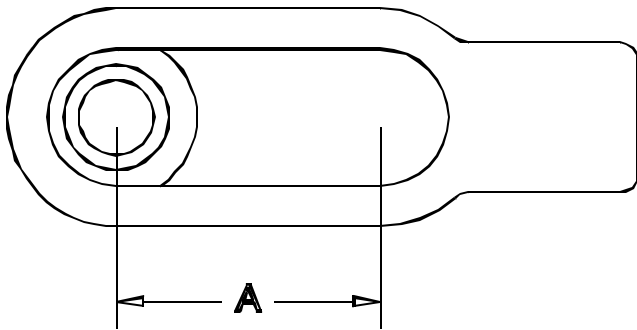


STEEL

ALUMINUM

PART#	Length(A)	Price Each	PART #	Length(A)	Price Each
83300	3"	\$99.50	84300	3"	\$99.50
83325	3 ¼"	\$99.50	84450	4 ½"	\$99.50

FLOATING ROD END



STEEL

ALUMINUM

PART#	Length(A)	Price Each	PART #	Length(A)	Price Each
83150-8	1 ½"	\$149.50	84150-8	1 ½"	\$149.50

- ✓ Provides 1 ½" free travel
- ✓ ½" UNF thread in the end
- ✓ CNC Machined
- ✓ ½" bolt hole
- ✓ Can be used as a travel stop
- ✓ Heat Treated 4130 steel gold Zinc plated
- ✓ High strength 7075T6 Aluminum black anodized

US Patent # 6,551,004

Order Online at www.RHEngineering.com